



APPLICATION - Our superior quality wall packs can be used for doorways, bay doors, landscaping and many other area lighting applications. These fixtures can be utilized in commercial applications in schools, hospitals, hotels, warehouses, and office buildings.

CONSTRUCTION - This fixture is designed with a die-cast aluminum shell housing that is rust and corrosion-proof. The housing is powder-coated with a polyester finish. This fixture is tightly sealed, dirt and bug-proof, using a high-quality diffused shatterproof polycarbonate lens cover with a custom-formed silicon gasket. The fixture uses light weight, heat dissipating aluminum-diffuser fins. It is ingress-protection rated (IP65) and designed to be used in damp and wet locations.

OPTICS AND LEDS - Our high-brightness Phillips or Similar chips minimize pixilation and provide uniform lens brightness. The high quality polycarbonate lens offers glare-free light transmittance. The fixture's CRI rating is greater than [electrical_CRI]. Energy-efficient, high-luminous flux reaches 145+ LMs per watt. Wide-beam angle of 160° insures maximum light spread coverage.

ELECTRICAL - The standard-operating voltage of these fixtures is 100-277 VAC. The average operating life of these fixtures is 50,000+ hours when used under environmental temperatures of -4° F to 131° F.

MOUNTING - Half-inch (1/2") knock outs are available on the sides of the fixture for mounting to junction connection box. One installation kit with screws are included in the packaging.



5 year
WARRANTY

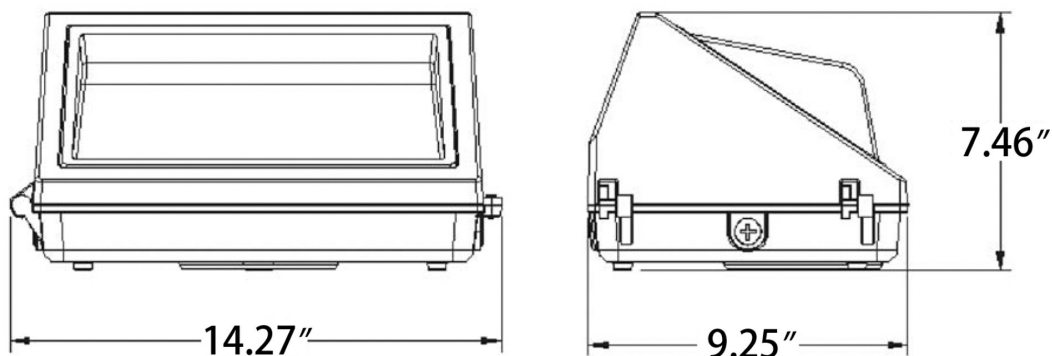
YES LED YWP-60W-120 SERIES

For photometric data and IES files, email orders@yesledlighting.com.

PART #	DESCRIPTION	VOLTAGE	COLORTEMP	CASEPACK	DIMENSIONS	WEIGHT
YWP-60W-120-40	WALL PACK, 60 WATTS	100-277 VAC	4000K	1	16.93" x 11.6" x 11.4"	24.25
YWP-60W-120-50	WALL PACK, 60 WATTS	100-277 VAC	5000K	1	16.93" x 11.6" x 11.4"	24.25



TECH DRAWING(S):



All dimensions are shown in inches unless otherwise noted.

SPECIFICATIONS

Specifications subject to change without notice.

MODELS: YWP-60W-120-40, YWP-60W-120-50

STRUCTURE	HOUSING MATERIAL	ALUMINUM
	HOUSING COLOR	BLACK
	LENS MATERIAL	POLYCARBONATE
	LENS COLOR	FROSTED
	HEAT SINK	ALUMINUM
	LED CHIP TYPE	PHILLIPS OR SIMILAR
	BEAM ANGLE	160°
	MOUNTING	SURFACE MOUNTING
ELECTRICAL	WATTS	60
	VOLTAGE	100-277 VAC
	POWER FACTOR	>0.90
	WORKING TEMPERATURE	-4° F TO 131° F
PERFORMANCE	LUMENS	9252
	LUMENS PER WATT	145
	CCT COLOR	4000K, 5000K
	AVERAGE RATED HOURS	50000
	APPLICATION	BUILDING, PARKING GARAGES, WALKWAYS

SIZE & WEIGHT	
WIDTH	16.93" (43 cm)
LENGTH	11.6" (29.46 cm)
DEPTH	11.4" (28.96 cm)
WEIGHT	24.25